



DUPLEX CSA

Duplex Connector Division

Tools

Professional Crimping Tool Ratchet Type

- Die sets are interchangeable, except HT-301
- OEM/Custom designs are welcome

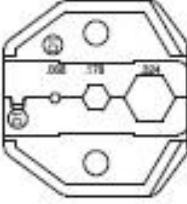
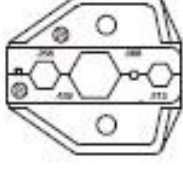
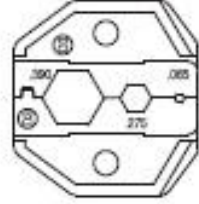


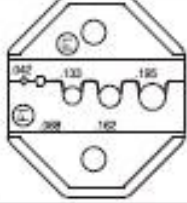
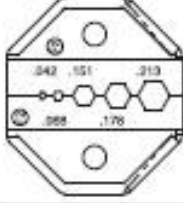
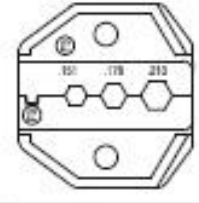
HT-336FM
(Frame only)
8.7" (220mm)

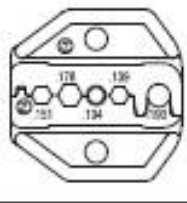

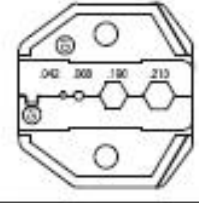
Item No	HT-5133A/HT-336A	HT-5133A4/HT-336A4	HT-5133C/HT-336C
Die P/N	3A	3A4	3C
Specifications	.256"/.068"/.213" 6.50/1.73/5.41mm	.255"/.187"/.068"/.213" 6.48/4.75/1.73/5.41mm	.256"/.319"/.068"/.213" 6.50/8.10/1.73/5.41mm
Crimping cable size	RG58,59,62	RG58,59,62,174	RG58,59,62,6

Item No	HT-5133C1/HT-336C1	HT-5133C2/HT-336C2	HT-5133D/HT-336D
Die P/N	3C1	3C2	3D
Specifications	.068"/.216"/.324"/.360" 1.73/5.49/8.23/9.14mm	.068"/.262"/.324"/.360" 1.73/6.65/8.23/9.14mm	.213"/.256"/.068"/.324" 5.41/6.50/1.73/8.23mm
Crimping cable size	RG58,59,62,6	CATV F ⁺ Connectors RG59,6	RG58,59,62,6

Professional Crimping Tool Ratchet Type

Item No	HT-5133D1/HT-336D1	HT-5133D2/HT-336D2	HT-5133D3/HT-336D3
			
Die P/N	3D1	3D2	3D3
Specifications	.068"/.178"/.324" 1.73/4.52/8.23mm	.256"/.429"/.068"/.213" 6.50/10.90/1.73/5.41mm	.390"/.275"/.065" 9.90/6.98/1.65mm
Crimping cable size	RG58,6,174	RG58,59,62,11,8,213	RG 213, 6, 8, 59

Item No	HT-5133F1/HT-336F1	HT-5133F2/HT-336F2	HT-5133F3/HT-336F3
			
Die P/N	3F1	3F2	3F3
Specifications	.042"/.068"/.133"/.162"/.195" 1.07/1.73/3.38/4.11/4.95mm	.042"/.068"/.151"/.178"/.213" 1.07/1.73/3.84/4.52/5.41mm	.151"/.178"/.213" 3.84/4.52/5.41mm
Crimping cable size	Fiber Optic SMA (Oval Type)	Fiber Optic SMA,SMB Conn. RG58,174, Belden 8281	RG58,174,179

Item No	HT-5133F4/HT-336F4	HT-5133G/HT-336G	HT-5133G1/HT-336G1
			
Die P/N	3F4	3G	3G1
Specifications	.151"/.178"/.134"/.139"/.190" 3.84/4.52/3.40/3.53/4.83mm	.043"/.068"/.100"/.137"/ .213"/.255" 1.09/1.73/2.54/3.48/ 5.41/6.48mm	.042"/.068"/.190"/.213" 1.07/1.73/4.83/5.41mm
Crimping cable size	Fiber Optic ST, SC, LC connectors	RG58,59,62,174 Fiber Optic	RG58, Fiber Optic

Professional Crimping Tool Ratchet Type

Item No	HT-5133G2/HT-336G2	HT-5133G3/HT-336G3	HT-5133G4/HT-336G4
Die P/N	3G2	3G3	3G4
Specifications	.235"/.128"/.065"/.042" 5.97/3.25/1.65/1.07mm	.042"/.068"/.255"/.324" 1.07/1.73/6.48/8.23mm	.042"/.068"/.178"/.278"/.255" 1.07/1.73/4.52/7.06/6.48mm
Crimping cable size	RG58,174,139,185	RG174,58,59,6	RG59, 62, 174

Item No	HT-5133H1/HT-336H1	HT-5133H2/HT-336H2	HT-5133I/HT-336I
Die P/N	3H1	3H2	3I
Specifications	.255"/.320"/.350" 6.48/8.13/8.89mm	.320"/.210"/.185" 8.13/5.33/4.70mm	.255"/.211"/.093"/.067"/.315" 6.46/5.36/2.36/1.70/8.0mm
Crimping cable size	CATV F Connectors RG59,6	RG58, 6	RG58,59,6,174

Item No	HT-5133J/HT-336J	HT-5133K/HT-336K	HT-5133K2/HT-336K2
Die P/N	3J	3K	3K2
Specifications	.042"/.068"/.078"/.128"/ .151"/.178" 1.07/1.73/1.98/3.25/ 3.84/4.52mm	.100"/.128"/.429" 2.54/3.25/10.90mm	.068"/.256"/.429" 1.73/6.50/10.90mm
Crimping cable size	RG174,179,Belden 8218 Fiber Optic	RG8,11,174,179,213	RG8, 11, 59, 62

Professional Crimping Tool Ratchet Type

Item No	HT-5133K3/HT-336K3	HT-5133K4/HT-336K4	HT-5133K5/HT-336K5
Die P/N	3K3	3K4	3K5
Specifications	.256"/.068"/.295" 6.50/1.73/7.49mm	.100"/.128"/.190"/.213" 2.54/3.25/4.83/5.41mm	.080"/.100"/.429" 2.03/2.54/10.90mm
Crimping cable size	RG59,6	RG58,174, Fiber Optic	RG11,174,213
Item No	HT-5133K6/HT-336K6	HT-5133M/HT-336M	HT-5133P1/HT-336P1
Die P/N	3K6	3M	3P1
Specifications	.429"/.075"/.075" 10.90/1.91/1.91mm	.228"/.068"/.305" 5.79/1.73/7.75mm	.255"/.213"/.098"/.068"/.321" 6.48/5.41/2.49/1.73/8.15mm
Crimping cable size	RG11, 213	RG58,59,6,62,142	RG58,59,62,6
Item No	HT-5133T1/HT-336T1	HT-5133V/HT-336V	HT-5133V1/HT-336V1
Die P/N	3T1	3V	3V1
Specifications	.028"/.039"/.047"/.100/ .128"/.151" 0.71/0.99/1.19/2.54/ 3.25/3.84mm	.043"/.069"/.100"/.128/ .151"/.213" 1.09/1.75/2.54/3.25/ 3.84/5.41mm	.047"/.068"/.178"/.217/ .256"/.330" 1.19/1.73/4.52/5.51/ 6.50/8.38mm
Crimping cable size	RG174,178,179,180,187	SMA,SMB,SMC,MCX	RG59,62,6,174, Fiber Optic

Professional Coaxial Crimping Tools

○ Die set is riveted on tool,
and is unchangeable



HT-106 Series
(Non-Ratchet Type)
9" (229mm)

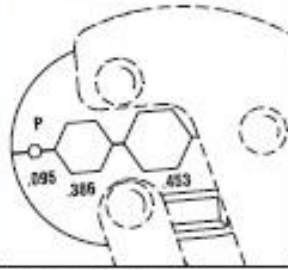
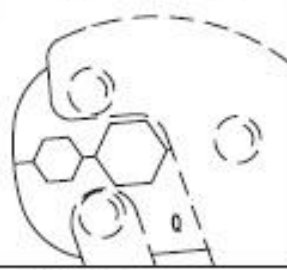
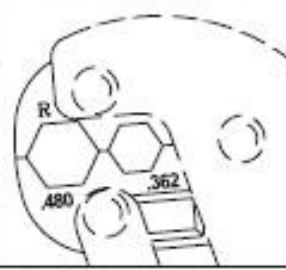
Professional Coaxial Crimping Tool

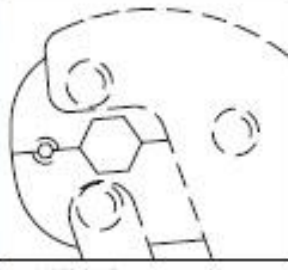
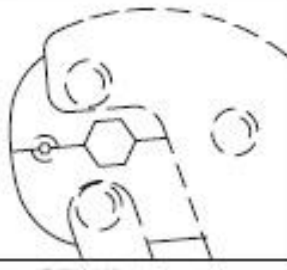
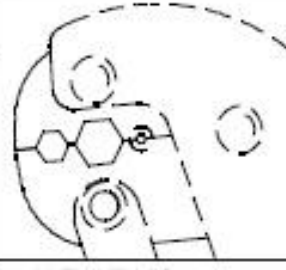
Item No	HT-106C	HT-H116C	HT-106D	HT-H116D	HT-106E	HT-H116E
Ratchet type	NO	YES	NO	YES	NO	YES
Specifications	.255"/.322" 6.48/8.20mm		.255"/.213"/.068" 6.48/5.40/1.72mm		.213"/.322"/.448" 5.40/8.20/11.40mm	
Crimping cable size	RG 59, 62, 6		RG 58, 59, 62		RG 58, 6, 11, 213	

Item No	HT-106F	HT-H116F	HT-106G	HT-H116G	HT-106H	HT-H116H
Ratchet type	NO	YES	NO	YES	NO	YES
Specifications	.100"/.322"/.476" 2.54/8.20/12.10mm		.100"/.322"/.448" 2.54/8.20/11.40mm		.322"/.359" 8.20/9.12mm	
Crimping cable size	RG 6, 11, 213		RG 6, 11, 213, Belden 8281		F-59, 62, 6	

Item No	HT-106L	HT-H116L	HT-106M	HT-H116M	HT-106N	HT-H116N
Ratchet type	NO	YES	NO	YES	NO	YES
Specifications	.100"/.359"/.406" 2.54/9.12/10.30mm		.100"/.359"/.475" 2.54/9.12/12.08mm		.133"/.151"/.122"/.188" 3.38/3.84/3.10/4.78mm	
Crimping cable size	F-59, 6, 11 & UHF-58, 8		F-59, 6, 11		ST/SC Fiber Optic	

Professional Coaxial Crimping Tool

Item No	HT-106P	HT-H116P	HT-106Q	HT-H116Q	HT-106R	HT-H116R
Ratchet type	NO	YES	NO	YES	NO	YES
						
Specifications	.095"/.386"/.453" 2.41/9.80/11.50mm		.324"/.470" 8.23/11.94mm		.480"/.362" 12.19/9.19mm	
Crimping cable size	F-59, 6, 11 & UHF-58, 8		F-59, 6, 11, 213		F-59, 6, 11	

Item No	HT-106S	HT-H116S	HT-106X	HT-H116X	HT-106Z	HT-H116Z
Ratchet type	NO	YES	NO	YES	NO	YES
						
Specifications	.102"/.406" 2.60/10.30mm		.076"/.338" 1.93/8.60mm		.216"/.324"/.068" 5.48/8.22/1.72mm	
Crimping cable size	UHF-8		TWINAX CONN		RG 58, 6	

Item No						
Ratchet type						
Specifications						
Crimping cable size						

All above tools are with adjustment.